

SPOONER

VICARS

British Engineering
for a better Biscuit

AFTERMARKET



LubriBaKe

INDUSTRIAL BAKERY CHAIN LUBRICATION PRODUCTS

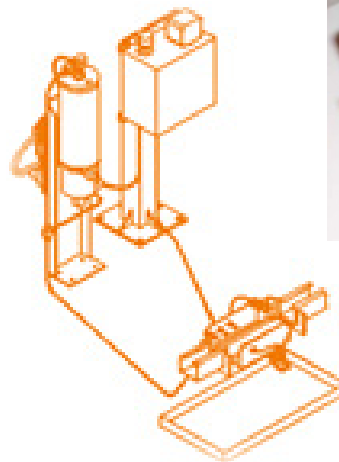
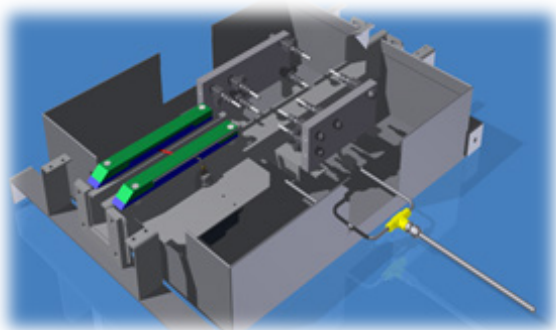
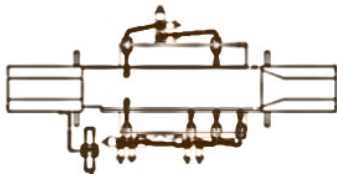
We now sell Spooner Vicars' Chain Lubrication products for your ConveyORIZED Proofers and Ovens.

BENEFITS & FEATURES

- H-1 FOOD GRADE allergen-free lubricants.
- Specially formulated for superior lubricity and wear resistance.
- Available in a variety of viscosities to suit individual applications,

ALSO AVAILABLE

- H-2 standard formulations
- Chain cleaning agents



EUROPE

Middleby House
Unit 15, Bridge Bank Close
Stonecross Park
Golborne, Wigan, WA3 3JD
United Kingdom
Tel: +44 (0) 151 548 3822
spares@spoonervicars.com

NORTH AMERICA

Middleby Bakery Group
808 Stewart Avenue
Plano, TX 75074
USA
Attn: James Hutcherson
Tel: +1 972 809 8769
james.hutcherson@middlebybakergroup.com

BAKERY CHAIN LUBRICATION

OVENS & PROOFERS

PROOFER

100FG	H-1	SVP-100FG	55 OR 5 gal	Call for Price
220FG	H-1	SVP-220FG	55 OR 5 gal	Call for Price
100	H-2	SVP-100	55 OR 5 gal	Call for Price
P-25	H-2	SVP-25	55 OR 5 gal	Call for Price
PR-500	H-2	SVP-500	55 OR 5 gal	Call for Price

OVEN

100FG	H-1	SVO-100FG	55 OR 5 gal	Call for Price
220FG	H-1	SVO-220FG	55 OR 5 gal	Call for Price
O-30	H-2	SVO-30	55 OR 5 gal	Call for Price
OCL-220	H-2	SVO-CL220	55 OR 5 gal	Call for Price

CLEANING AGENTS

SUPREME	A1/C1	SVC-SUP-55	55 gal	Call for Price
CARBON		SVC-CAR-5	5 gal	Call for Price